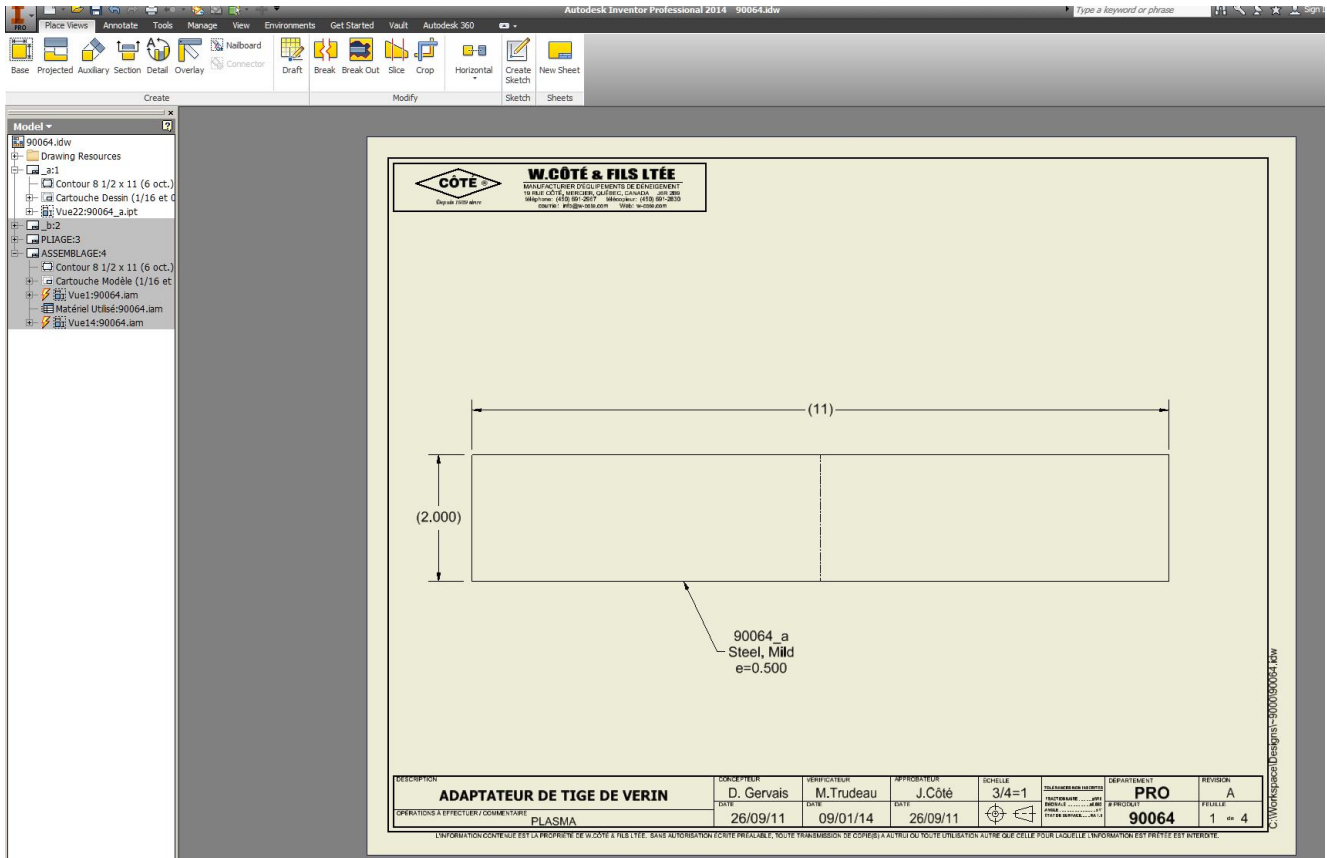
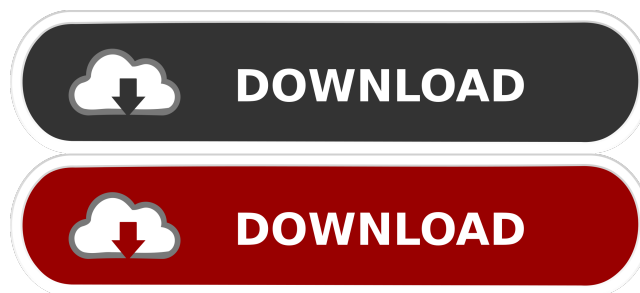


# Telecharger Gratuitement Revit 2008 Francais Avec Crack 32 Bit



DOWNLOAD: <https://tinurli.com/29519u>



---

7c23cce9bc

Related links:

[Britney Spears Womanizer 1080p Torrent](#)  
[Aatma full movie in hindi dubbed watch online](#)  
[Download Nina Ringtone From Offspring](#)  
[Download Music From Spotify To Mac](#)  
[TheBigBangTheoryS01E00UnairedPilotXViDP2Pavi](#)